



REFERENCE : KI0306

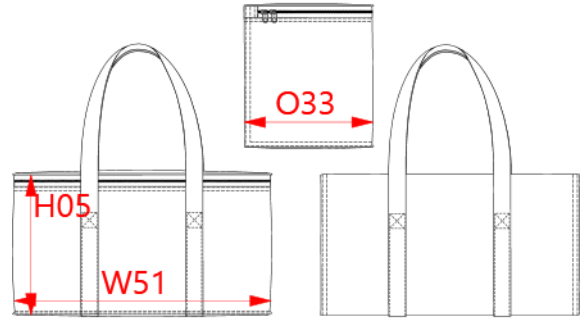
SIZES : U

COMPOSITION :

Main fabric : Polyester 210D PU backing As external fabric.
 100%polyester
 Lining 1 : EPA foam As special internal foam for cooler bags.
 100%EPA
 Lining 2 : PEVA As lining on inside, special for cooler bags.
 100%polyethylene vinyl acetate

ARTICLE WEIGHT :

300 gr/pc



DESCRIPTION								COLORS		PANTONE SERIGRAPHIE	
Français : Sac isotherme English : Large cooler bag Nederlands : Large cooler bag Deutsch : Kühltasche Español : Bolsa nevera Italiano : Borsa termica Português : Saco termico								Light grey		2331C	
								Navy		433C	
MEASUREMENT											
Description	U										
H05 Hauteur totale / Total height	21										
W51 Total width	38										
O33 Deep of bottom part	19										
PACKING											
Box	40 pcs / box Size => L:64cm W:40cm H:49cm GW:13kg NW:12kg										