



REFERENCE : KI0317

SIZES : U

COMPOSITION :

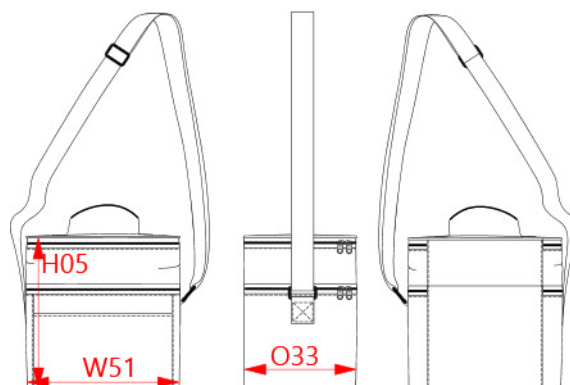
Main fabric : Polyester oxford 600D PU backing As external fabric. 100%polyester

Lining 1 : EPA foam As foam on inside, special for cooler bags. 100%EPA

Lining 2 : PEVA As lining on inside, special for cooler bags. 100%polyethylene vinyl acetate

ARTICLE WEIGHT :

260 gr/pc



DESCRIPTION
Français : Sac isotherme double compartiment
English : Double compartment cooler bag
Nederlands : Double compartment cooler bag
Deutsch : Doppelfach Kühltasche
Español : Bolsa nevera doble compartimiento
Italiano : Borsa frigo con doppio scompartimento
Português : Saco térmico con duplo compartimento

COLORS	PANTONE SERIGRAPHIE
Light grey	2331C
Navy	433C

MEASUREMENT							
Description	U						
H05 Hauteur totale / Total height	26						
W51 Total width	26						
O33 Deep of bottom part	19						

PACKING	
Box	20 pcs / box U => L:50cm W:43cm H:45cm GW:6,2kg NW:5,2kg