



**REFERENCE :** KI0138

**SIZES :** U

**COMPOSITION :**

Main fabric : Polyester oxford 600D PVC backing For full bag on outside. 100%polyester

Lining : Polyester 210D PU backing - 75 As inside lining on main compartment. 100%polyester

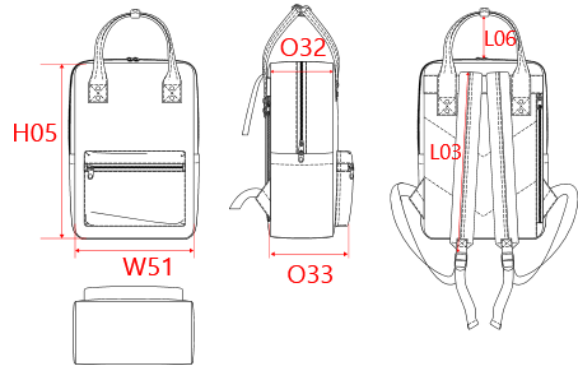
Lining : Polyester micropolar fleece - 150 Inside of inside pocket 100%polyester

**TECHNICAL DETAIL :**

PU backing

**ARTICLE WEIGHT :**

280 gr/pc



DESCRIPTION	COLORS	PANTONE SERIGRAPHIE
<b>Français :</b> Sac à dos style urbain	Black	Black
<b>English :</b> Urban backpack	Iris blue	7545C
<b>Nederlands :</b> Rugzak in urban stijl	Light marsala	7613C
<b>Deutsch :</b> City-Rucksack		
<b>Español :</b> Mochila de estilo urbano		
<b>Italiano :</b> Zaino stile urbano		
<b>Português :</b> Mochila estilo urbano		

MEASUREMENT							
Description	U						
<b>H05</b> Hauteur totale / Total height	36						
<b>W51</b> Total width	25,50						
<b>O33</b> Deep of bottom part	16						
<b>O32</b> Deep of top part	13						
<b>L03</b> Longueur totale bretelle épaule / Shoulder strap total length	36						
<b>L06</b> Light of top handle	11						

PACKING	
Box	25 pcs / box Size => L: 43cm W: 39cm H: 65cm GW: 9,8Kg NW: 8,8Kg