

**REFERENCE :** KI0353

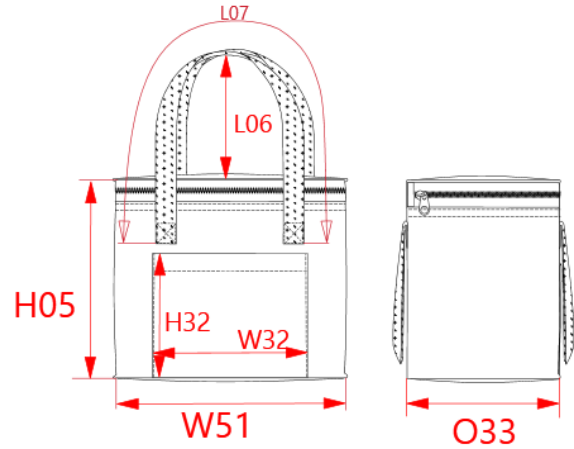
**SIZES :** U

**COMPOSITION :**

Main fabric : Jute PU backing - 330 For bag 100%jute  
 Main fabric : Cotton canvas - 130 For front pouch 100%cotton  
 Lining 1 : EPA foam High density insulating internal foam 100% EPA  
 Lining 2 : PEVA Aluminium lining on inside, special for cooler bags. 100%polyethylene vinyl acetate

**ARTICLE WEIGHT :**

245 gr/pc



DESCRIPTION	COLORS	PANTONE SERIGRAPHIE
<p><b>Français :</b> Sac isotherme en jute - modèle moyen</p> <p><b>English :</b> Jute cool bag- medium size</p> <p><b>Nederlands :</b> Koeltas van jute - middelgroot model</p> <p><b>Deutsch :</b> Mittelgroße Kühltasche aus Jute</p> <p><b>Español :</b> Bolsa isotérmica de yute - modelo mediano</p> <p><b>Italiano :</b> Borsa isotermica in iuta - modello medio</p> <p><b>Português :</b> Saco isotérmico em juta - modelo médio</p>	Natural	7534C

MEASUREMENT							
Description	U						
<b>H05</b> Hauteur totale / Total height	25						
<b>W51</b> Total width	28						
<b>L07</b> Light of shoulder handles	61						
<b>H32</b> Hauteur poche devant / Front pocket height	18						
<b>W32</b> Largeur poche devant / Front pocket width	20						
<b>L06</b> Light of top handle	22						
<b>O33</b> Deep of bottom part	17						

PACKING	
Box	40 pcs / box U => L:62cm W:50cm H:55cm GW:12.88kg NW:10.40kg