

**REFERENCE :** KI0429

**SIZES :** U

**COMPOSITION :**

Main fabric : Polyester 2 tone 600D PVC backing - 460 100% polyester

Fabric 1 : Synthetic fabric - Polyester with PU coating As contrast material, on bottom panel + small bottom parts of front/back/side panels + handles + flap of front pocket + strap

Lining : Polyester 210D PU backing - 75 As inside lining. 100% polyester

Lining : Polyester fleece - 150 As inside layer of small top pocket. 100%polyester

Material 3 : PVC quality As back panel of the shoulder pad.

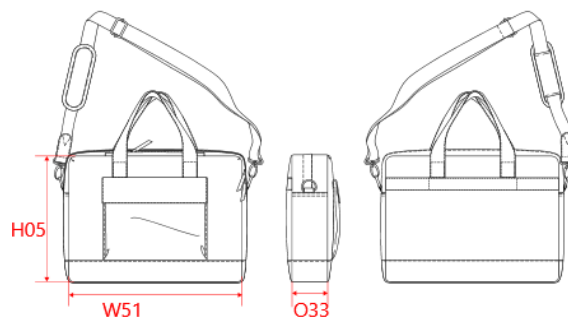
100%polyvinyl chloride

**TECHNICAL DETAIL :**

PVC backing

**ARTICLE WEIGHT :**

660 gr/pc



DESCRIPTION	
<b>Français :</b>	Sac porte ordinateur businessman
<b>English :</b>	Business laptop bag
<b>Nederlands :</b>	Laptoptas businessman
<b>Deutsch :</b>	Business-Laptoptasche
<b>Español :</b>	Bolsa business para ordenador
<b>Italiano :</b>	Borsa porta computer Businessman
<b>Português :</b>	Mala para computador

COLORS	PANTONE SERIGRAPHIE
Graphite blue heather	-
Graphite grey heather	-

MEASUREMENT	
Description	U
<b>H05</b> Hauteur totale / Total height	30
<b>W51</b> Total width	40
<b>O33</b> Deep of bottom part	10

PACKING	
Box	15 pcs / box Size => L: 52cm W: 38cm H: 55cm GW: 11,2Kg NW: 10,2Kg