



REFERENCE : KI0830

SIZES : U

COMPOSITION :

Main fabric : Polyester oxford 600D PVC backing Main fabric.
100%polyester

: Dot PVC 770 On bottom to back panel. PVC

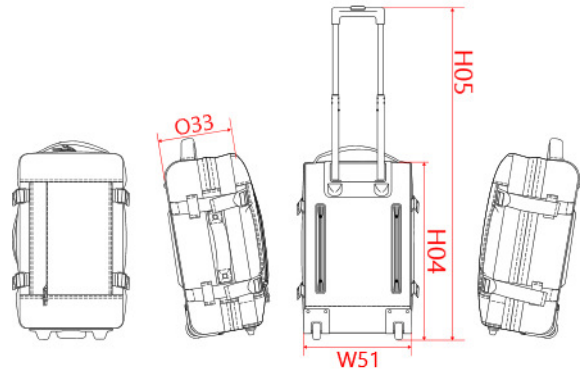
Lining : Polyester 210D PU backing - 75 As inside lining. 100% polyester

Material 3 : PVC quality For trolley system + foots. 100% polyvinyl chloride

Material 1 : Metal quality For trolley system + trolley rivets. 100%metal

TECHNICAL DETAIL :

PVC backing



DESCRIPTION	
Français :	Sac trolley cabine
English :	Cabine size trolley suitcase
Nederlands :	Cabine size trolley suitcase
Deutsch :	Trolley-Kabinentasche
Español :	Maleta trolley de cabina
Italiano :	Trolley cabina
Português :	Trolley cabine

COLORS	PANTONE SERIGRAPHIE
Black	Black
Patriot blue	5265C

MEASUREMENT	
Description	U
H05 Hauteur totale / Total height	103,50
O33 Deep of bottom part	22
H04 Hauteur coté / Side length	52
W51 Total width	30

PACKING	
Box	4 pcs / box U => L:65cm W:35cm H:30cm GW:10.0kg NW:9.0kg