

REFERENCE : KI0279

SIZES : U

COMPOSITION :

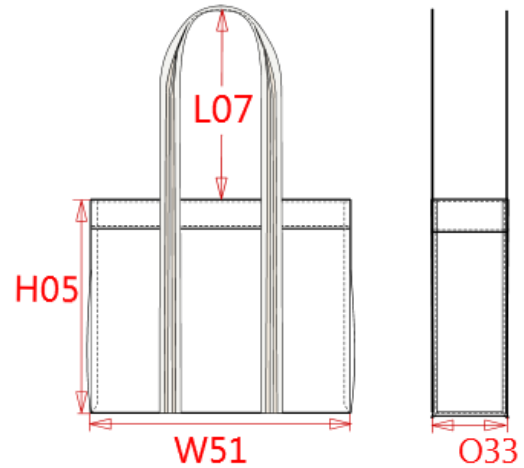
Main fabric : Organic Cotton canvas - 310 OCS100 certified
100%cotton

TECHNICAL DETAIL :

OCS certified

ARTICLE WEIGHT :

400 gr/pc



DESCRIPTION		COLORS	PANTONE SERIGRAPHIE
Français : Sac Shopping fashion en coton biologique English : Fashion shopping bag in organic cotton Nederlands : Trendy shopper van biologisch katoen Deutsch : Moderne Shoppingtasche aus Bio-Baumwolle Español : Bolsa de compras moda de algodón orgánico Italiano : Shopper fashion in cotone biologico Português : Saco de compras fashion em algodão biológico		Natural	7534C
		Night navy	433C
MEASUREMENT			
Description	U		
H05 Hauteur totale / Total height	38		
W51 Total width	44		
L07 Height of shoulder handles	30		
O33 Deep of bottom part	22		
PACKING			
Box	40 pcs / box U => L:46cm W:40cm H:40cm GW:18.2Kg NW:16.8Kg		