

REFERENCE : KI0281

SIZES : U

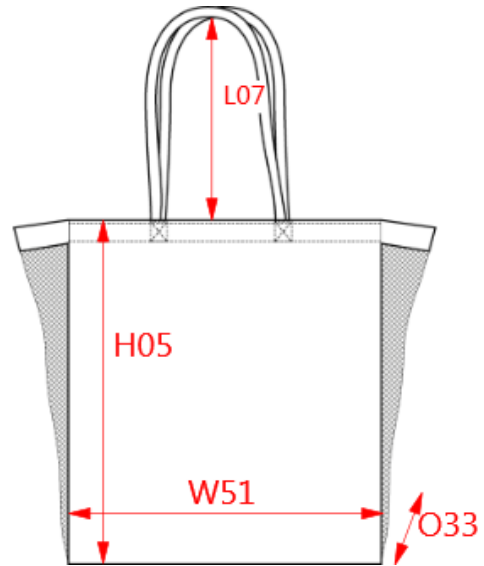
COMPOSITION :

Main fabric : Jute - 260 For front and back faces 100%jute

Main fabric : Cotton big mesh - 190 for both sides 100%cotton

ARTICLE WEIGHT :

225 gr/pc



DESCRIPTION	
Français :	Sac shopping avec soufflet en filet
English :	Shopping bag with mesh gusset
Nederlands :	Shopper met plooi van mesh
Deutsch :	Shoppingtasche mit Seitenfalte aus Mesh
Español :	Bolsa de compras con fuelle de rejilla
Italiano :	Shopper con soffietto in rete
Português :	Saco de compras com fole em rede

COLORS	PANTONE SERIGRAPHIE
Black / Natural	Black / 7534C
Natural / Natural	7534C / 7534C
Navy / Natural	433C / 7534C
Syrah wine / Natural	504C / 7534C
Turquoise / Natural	7474C / 7534C

MEASUREMENT	
Description	U
H05 Hauteur totale / Total height	42
W51 Total width on top	37
L07 Height of shoulder belt	25
O33 Deep of bottom part	20

PACKING	
Box	40 pcs / box U => L:44cm W:38cm H:40cm GW:10.2Kg NW:9Kg