

REFERENCE : KI0302

SIZES : U

COMPOSITION :

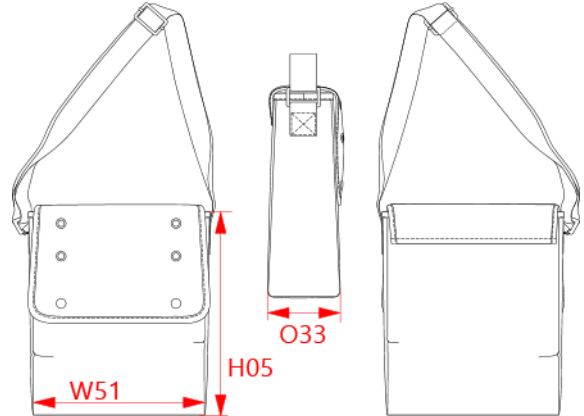
Main fabric : Cotton canvas 340 100%cotton
Fabric 1 : Poliester 190T PU backing For inside pocket. 100% polyester

TECHNICAL DETAIL :

Washed canvas for vintage look

ARTICLE WEIGHT :

230 gr/pc



DESCRIPTION								COLORS		PANTONE SERIGRAPHIE	
Français : Sacoche en canvas English : Shoulder bag in canvas Nederlands : Shoulder bag in canvas Deutsch : Mini-Reportertasche Español : Bolsa bandolera Italiano : Tracolla report Português : Mala a tiracolo								Vintage khaki		2327C	
								Black		Black	
								MEASUREMENT			
Description	U										
H05 Hauteur totale / Total height	32										
W51 Total width	26										
O33 Deep of bottom part	11										
PACKING											
Box	50 pcs / box U => L:37cm W:36cm H:62cm GW:12,6kg NW:11,6kg										