

**REFERENCE :** KI0403

**SIZES :** U

**COMPOSITION :**

Main fabric : Polyester oxford 600D PVC backing 100% polyester

Lining : Polyester 210D PU backing - 75 As lining for back panel and flap. 100%polyester

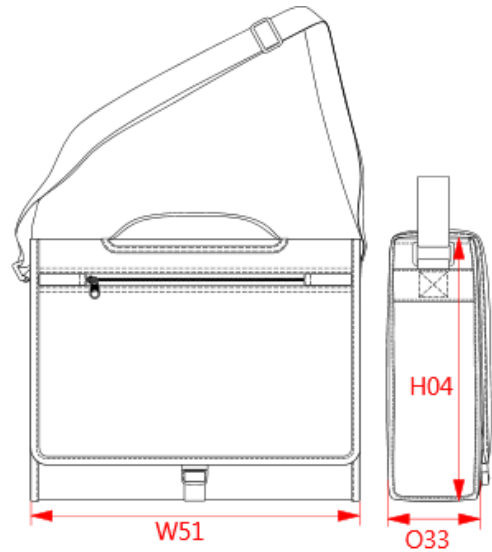
Padding : special PAD for shoulder & shoulder straps of backpacks Thickness 4mm. On inside of the handle.

**TECHNICAL DETAIL :**

PVC backing

**ARTICLE WEIGHT :**

350 gr/pc



DESCRIPTION
<b>Français :</b> Porte document
<b>English :</b> Shoulder belt document bag
<b>Nederlands :</b> Shoulder belt document bag
<b>Deutsch :</b> Schulter-Dokumententasche
<b>Español :</b> Carpeta porta documentos
<b>Italiano :</b> Cartella porta documenti
<b>Português :</b> Mala porta documentos

COLORS	PANTONE SERIGRAPHIE
Black	Black
Corde	402C
Slate grey	424C
Red	1795C

MEASUREMENT							
Description	U						
<b>W51</b> Total width	38						
<b>H04</b> Hauteur coté / Side length	31						
<b>O33</b> Deep of bottom part	10						

PACKING	
Box	30 pcs / box U => L:43cm W:41cm H:41cm GW:11,4kg NW:10,4kg