

REFERENCE : KI0901

SIZES : U

COMPOSITION :

Main fabric : Polyester 1000D Dobby PU+EVA backing On front panel+front pocket+one lateral panel. 100%polyester

Fabric 2 : Polyester 1000D PU+EVA backing On one lateral panel. 100%polyester

Fabric 3 : Polyester 1000D Dobby PVC backing On back panel. 100%polyester

Lining : Polyester 210D PU backing - 75 Inside as lining. 100% polyester

Fabric : Soft Neoprene 3.5 On bottom part of top handle. 100% neoprene

Mesh 1 : Polyester mesh 150 For inner pocket on main compartment. 100% polyester

Material 8 : PP plastic quality For honeycomb to fix bottom foot/trolley end, for bottom molded plate, + plastic foot, + one part of top handle on trolley system. 100%polypropylene

Main material : ABS plastic quality For honeycomb of the frame of the case. 100%acrylonitrile butadiene styrene

Material 5 : Aluminium quality On trolley system. 100% aluminium

Material 3 : Plastic quality On top part of trolley system. 100% plastic

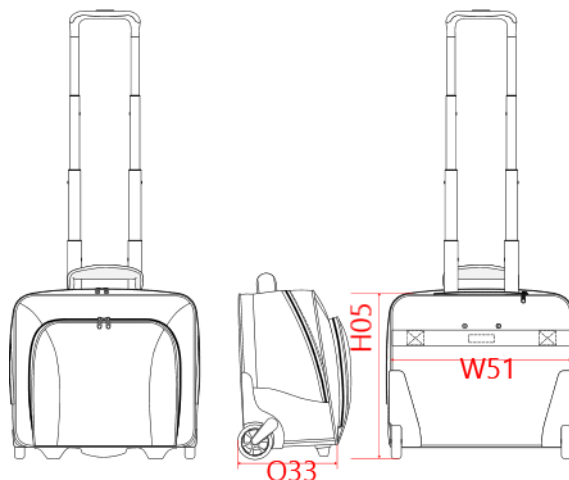
Material 8 : PP plastic quality On back bottom corners, where wheels. 100%polypropylene

TECHNICAL DETAIL :

PU + EVA backing

ARTICLE WEIGHT :

3300 gr/pc



DESCRIPTION	
Français :	Trolley ordinateur
English :	Computer case trolley
Nederlands :	Computer case trolley
Deutsch :	Solide laptop tasche
Español :	Maleta trolley business
Italiano :	Trolley business porta computer
Português :	Trolley para computador

COLORS	PANTONE SERIGRAPHIE
Black	Black

MEASUREMENT							
Description	U						
H05 Hauteur totale / Total height	37						
W51 Total width	41						
O33 Deep of bottom part	22						

PACKING	
Box	2 pcs / box U => L:44cm W:40cm H:42cm GW:7,6Kg NW:6,6Kg