

REFERENCE : KI0906

SIZES : U

COMPOSITION :

Main fabric : Polyester 840D Dobby 100% Polyester

Lining : Polyester 210D PU backing - 75 As internal lining.
100%polyester

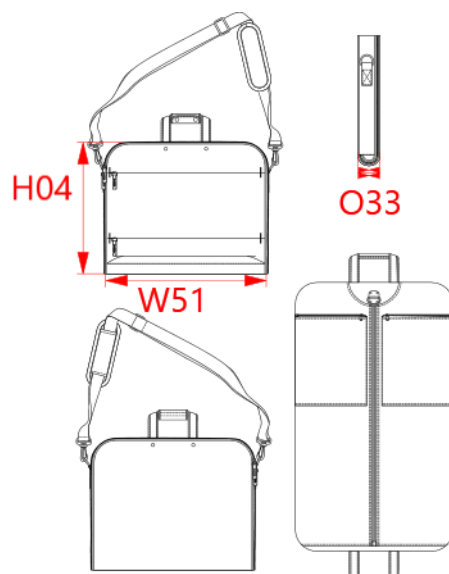
Padding : special PAD for shoulder & shoulder straps of backpacks On inside of handles pad closing shape + shoulder pad.

TECHNICAL DETAIL :

PU backing

ARTICLE WEIGHT :

800 gr/pc



| DESCRIPTION | |
|---------------------|--------------------|
| Français : | Housse de voyage |
| English : | Garment bag |
| Nederlands : | Garment bag |
| Deutsch : | Kleidersack |
| Español : | Bolsa porta trajes |
| Italiano : | Borsa porta abiti |
| Português : | Porta fatos |

| COLORS | PANTONE SERIGRAPHIE |
|--------|------------------------|
| Black | Black |

| MEASUREMENT | |
|---------------------------------------|----|
| Description | U |
| H04 Hauteur coté / Side length | 45 |
| W51 Total width | 55 |
| O33 Deep of bottom part | 8 |

| PACKING | |
|---------|---|
| Box | 20 pcs / box U => L:58cm W:50cm H:45cm GW:18,2Kg NW:16Kg |